

TJEP CPX 30 Concrete Pin, Mechanical Galvanized w/step

Application

Fixation of drywall tracks.

Fixation of wiring accessories/conduit fasteners.

Approval



Fire protection approval

Material properties

Total length L: 15, 20, 25, 30 & 35 mm

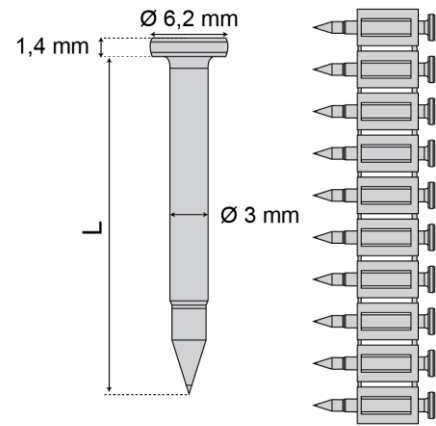
Black collated strip.

Mechanical galvanizing, average thickness $\geq 15 \mu\text{m}$.

Hardness 53-56 HRc

Suitable tools

TJEP CP-40 GAS 3G concrete nailer or similar.



Product list

| Range | Length of shank (L) | Item no. |
|-----------|---------------------|----------|
| CPX 30/25 | 25 | 839298 |
| CPX 30/35 | 35 | 839300 |

RECOMMENDED LOAD

| TJEP CPX 30 Range | Embedment | Characteristic resistance | |
|--------------------|---------------------------|---------------------------|---------------|
| | | N_{Rk} (kN) | V_{Rk} (kN) |
| Concrete C30/37 | $H_{nom} = 12 \text{ mm}$ | 0,45 | 0,32 |
| | $H_{nom} = 20 \text{ mm}$ | 0,45 | 0,65 |